

● RA & Fail Safe EF



rpm, the RA and EF type provides a degree of isolation of 75-85%. For better isolation, the alternative RAEM or M can be chosen.

Its unique construction and the latest production methods make Novibra® type RA and EF a high performance mounting having a number of advantages:

Novibra® type RA and Metalastik® type Fail Safe EF

For effective isolation of vibration and noise on machines with rotating movements, e.g.

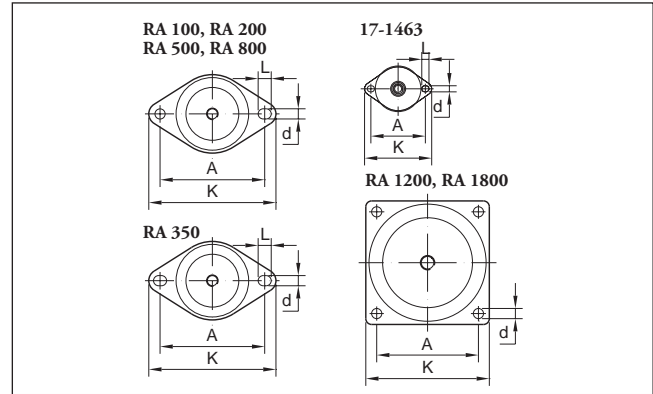
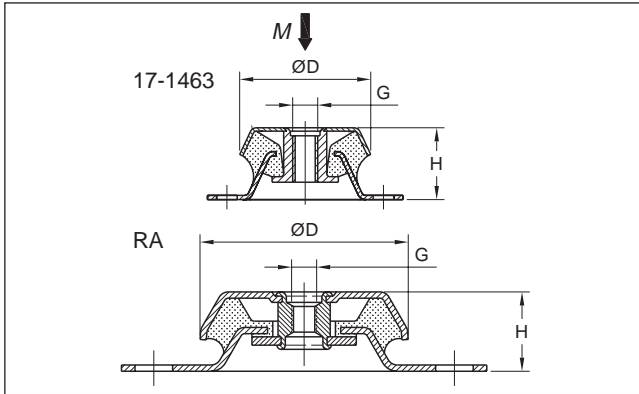
- Compressors
- Combustion engines
- Generators
- Converters
- Pumps
- Industrial and marine gen-sets
- Fans

Also suitable for use with presses, punches and other workshop machines.

Features

RA and EF uses the rubber profile in shear and compression, obtaining good vertical flexibility with the advantage of horizontal stability. For normal speeds of approx. 1500

- Rubber features are utilised effectively combining compression and shear.
- Wide load rating options, 40-2100 kg.
- Corrosion protected to cope with arduous environments on land or marine applications (Fe/Zn8C as per ISO 2081).
- Fitted as standard with an integral fail-safe design device with resilient stop, making RA and EF ideal for use in mobile or marine applications. The RA/EF-mounts can accommodate occasional shock loads to 5 g reference to the weight in hardness 60° IRH. The mount will withstand shock loads up to 2 g without plastic deformation.
- Clear and durable product marking so that mountings can be identified even after several years in operation.
- Domed shape cover to protect against oil contamination.



Type	Art.No. 40° IRH	Art.No. 60° IRH	Dimensions in mm						Weight (kg)	M-Max (kg)		
			D	A	H	K	d	L		G	40° IRH	60° IRH
RA 100/M10	1861700	1861710	79	110	30	130	9	12	M10	0.33	105	240
RA 100/M12	2256120	2256130	79	110	30	130	9	12	M12	0.33	105	240
RA 200/M10	1861740	1861750	94	124	35	150	10	15	M10	0.47	180	280
RA 200/M12	2255720	1860350	94	124	35	150	10	15	M12	0.47	180	280
RA 350/M12	2256370	2256380	101	140-148	38	175	14	18	M12	0.74	250	450
RA 350/M16	1861760	1861770	101	140-148	38	175	14	18	M16	0.74	250	450
RA 500	1861800	1861810	123	158	42	192	14	18	M16	1.02	450	700
RA 800	1861820	1861830	144	182	48	216	14	18	M16	1.59	750	1300
RA 1200	2255360	2255370	161	140	58	170	14		M20	2.19	900	1600
RA 1800	2255380	2255390	181	160	66.5	190	14		M20	2.33	1300	2100
Fail Safe EF	17-1463-35 (35° IRH)		65	76.2	35	94	8.5	10	M12	0.22	55	
	17-1463-45 (45° IRH)										80	
	17-1463-60 (60° IRH)										170	
	17-1463-70 (70° IRH)										240	